

Diver training progression

Skill Development Courses (SDCs)

Anyone can do these courses...

- Boat Handling
- Chartwork & Position Fixing
- Compressor Operation
- Diver Coxswain Assessment
- Marine Life Appreciation
- Shore Surveyor
- Underwater Surveyor

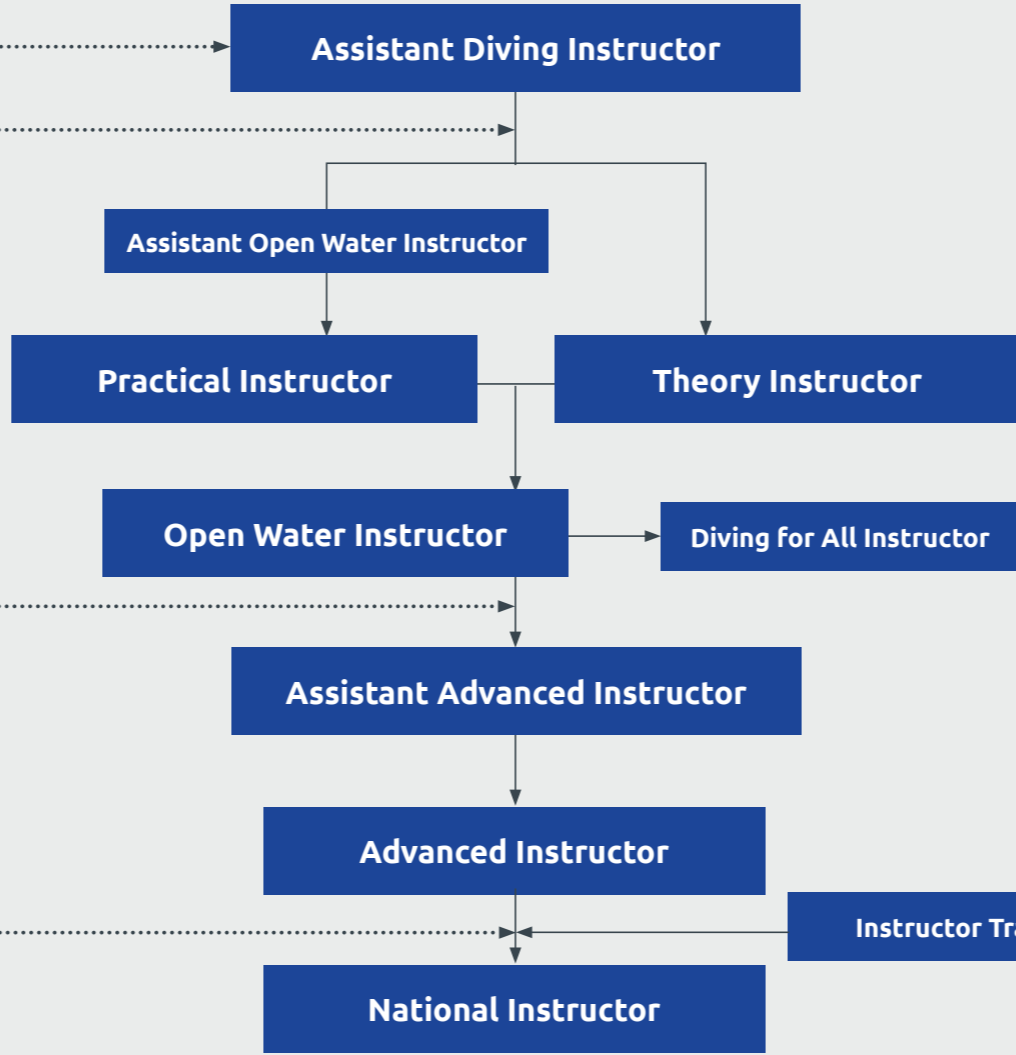
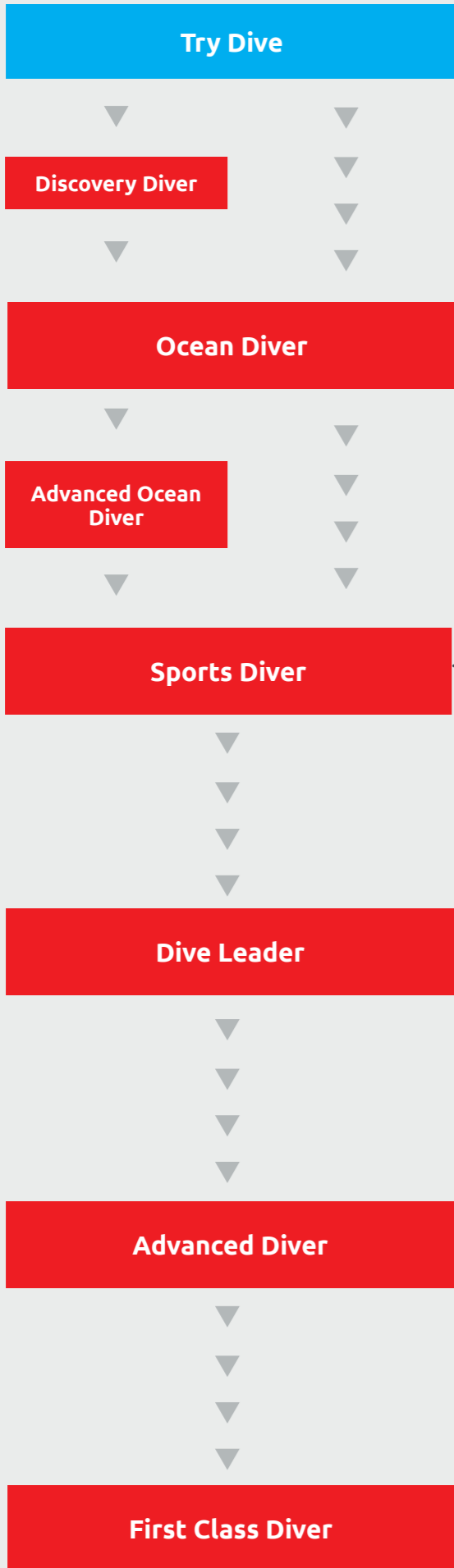
For Ocean Diver (or equivalent) and above...

- Automated External Defibrillator
- Buoyancy and Trim
- Diving for All Awareness
- Drysuit Training
- First Aid for Divers
- Lifesaver Award
- Nitrox Gas Blender / Mixed Gas Blender
- Ocean Diver Nitrox Workshop
- Oxygen Administration
- RNLI Diver Sea Survival
- Wreck Appreciation

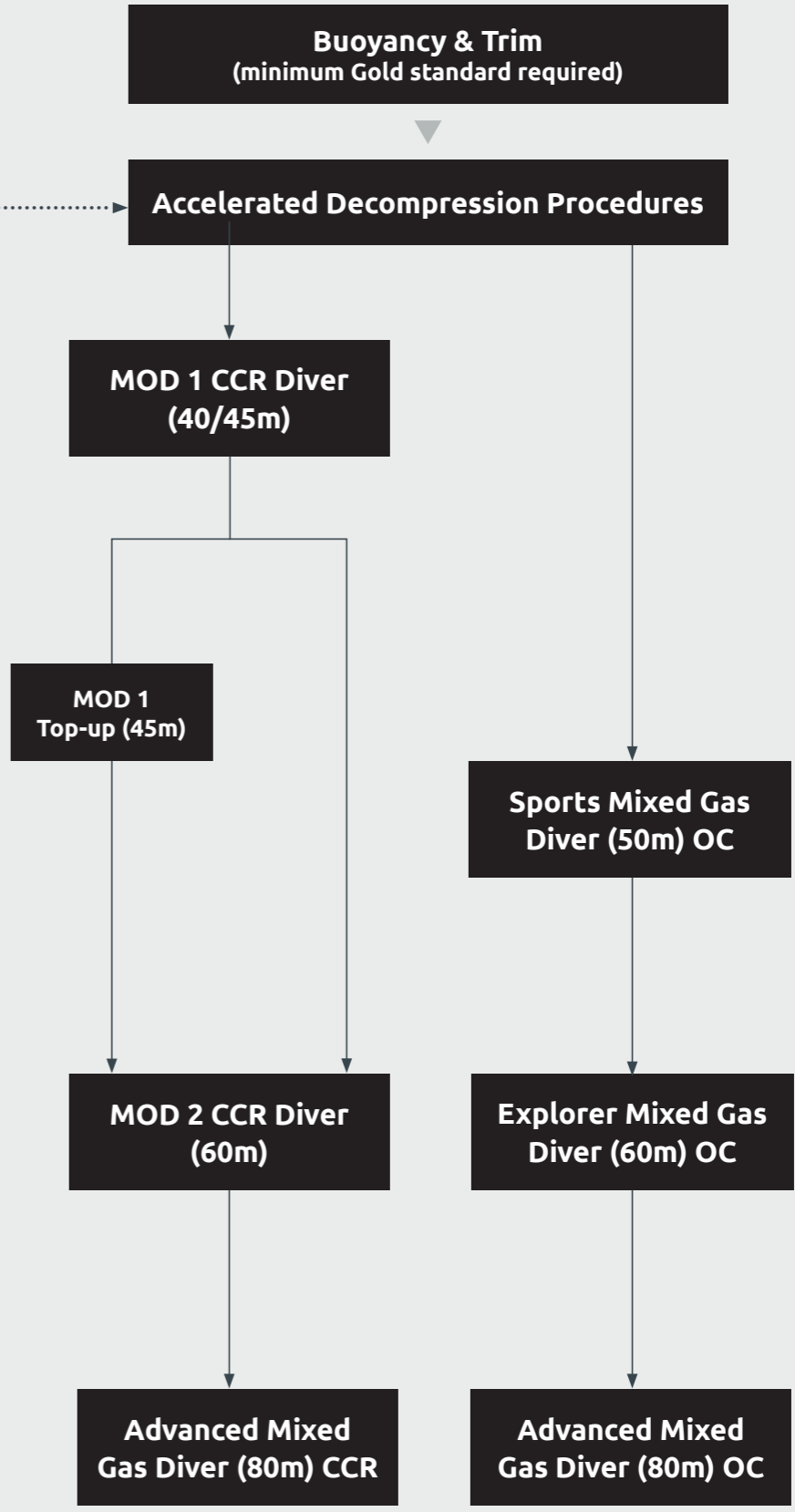
For Sports Diver (or equivalent) and above...

- Accelerated Decompression Procedures
- Advanced Lifesaver Award
- Advanced Twin Set Diver
- Advanced Wreck Diver
- Dive Planning and Management
- Ice Diving
- Practical Rescue Management
- Primary Donate Workshop
- Search and Recovery
- Sports Diver Nitrox Workshop
- Twin Set Diver
- Underwater Photography

Diver Training Programme



Instructor Training Scheme (ITS)



Technical Diving Courses

